

# BRASS BALL VALVE TYPE VS

## FEATURES

The VS ball valve is dedicated to the manual shut off of industrial fluids lines like water, compressed air and hydrocarbons. The stem. Anti-ejection stem. Operation with lever. Manufactured in Italy.

## AVAILABLE MODELS

Full bore

**VS40** : Ø 1/2" to 2" G connection F/F.

**VS41** : Ø 1/2" to 1" G connection M/F.

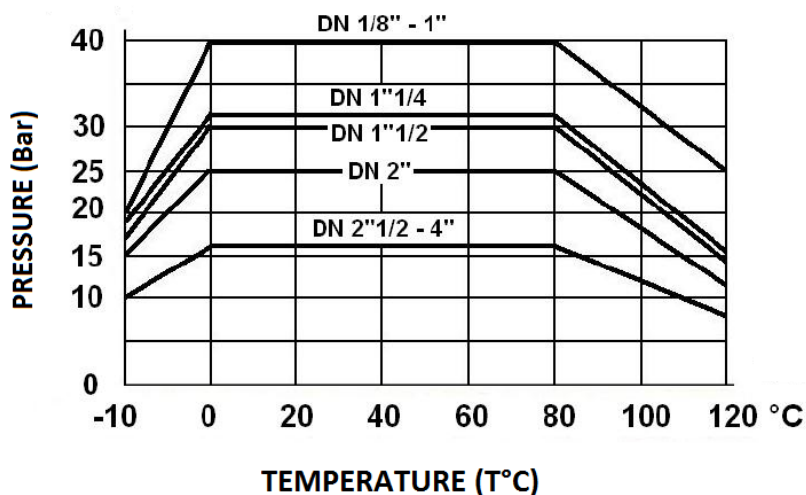
**VS42** : Ø 1/4" to 1" G connection F/F.

**VS41** : Ø 1/4" to 1" G connection M/F.



## LIMITS OF USE

Fluid pressure : PS	1/4" to 1"	40 bar
	1"1/4 - 1"1/2	30 bar
	2"	25 bar
Fluid temperature : WT°	-10°C / +120°C	



## DIRECTIVES AND MANUFACTURING STANDARDS

OBJET	Standard
Pressure Equipment Directive 2014/68/EC	1/4" to 1" : not subject
	1" 1/4 to 2" : article A4 § 3 : Use forbidden on dangerous gas of group I
Brass grades	EN 1503-4
Threaded connection	ISO 228-1

Information given as an indication only, and subject to possible modifications



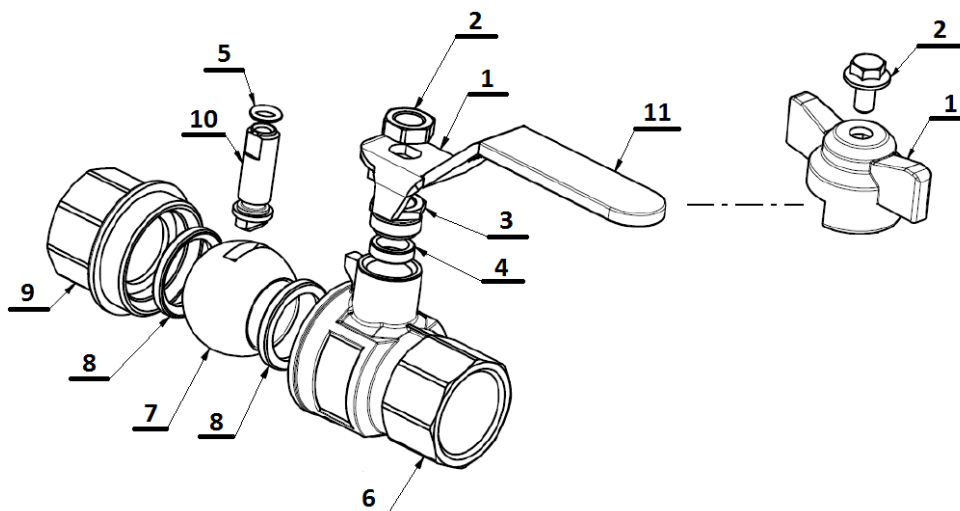
SECTORIEL S.A.  
45 rue du Ruisseau  
38290 SAINT QUENTIN-FALLAVIER – FRANCE  
Tél : +33 4 74 94 90 70 - Fax : +33 4 74 94 13 95  
[www.sectoriel.com](http://www.sectoriel.com) / Email : [sectoriel@sectoriel.fr](mailto:sectoriel@sectoriel.fr)

Pages	1/3
Ref.	FT1790 ENG
Rev.	02
Date	10/2023

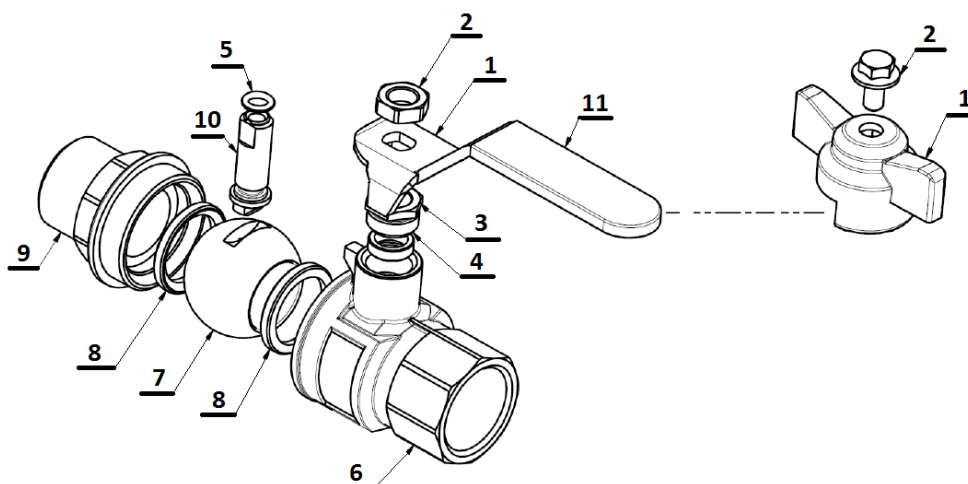
# BRASS BALL VALVE TYPE VS

## CONSTRUCTION

**VS40 / VS42 F x F with handle and butterfly handle :**



**VS41 / VS43 M x F with handle and butterfly handle :**



N°	Name	Material
1	Handle / Butterfly Handle	Galvanized steel
2	Nut / Handle's nut	Steel
3	Packing gland	Brass CW614N
4	Packing	PTFE + FKM
5	O-ring	EPDM
6	Body	Brass CW617N
7	Ball	Brass CW617N
8	Seats	PTFE
9	End	Brass CW617N
10	Stem	Brass CW614N
11	Handle sheath (Blue)	PVC

Information given as an indication only, and subject to possible modifications



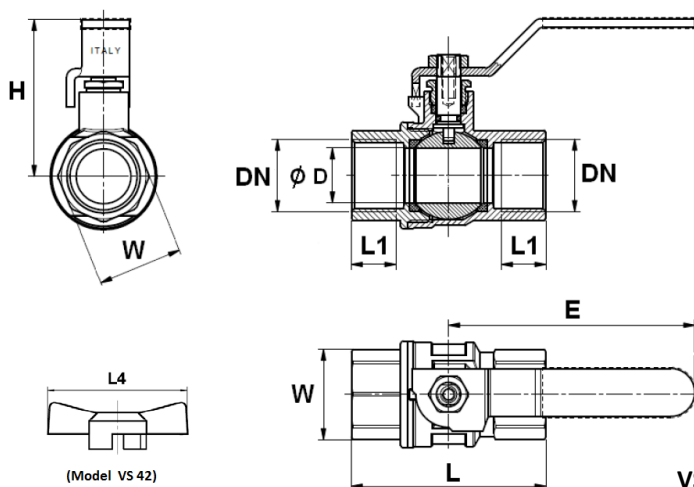
SECTORIEL S.A.  
45 rue du Ruisseau  
38290 SAINT QUENTIN-FALLAVIER – FRANCE  
Tél : +33 4 74 94 90 70 - Fax : +33 4 74 94 13 95  
[www.sectoriel.com](http://www.sectoriel.com) / Email : [sectoriel@sectoriel.fr](mailto:sectoriel@sectoriel.fr)

Pages	2/3
Ref.	FT1790 ENG
Rev.	02
Date	10/2023

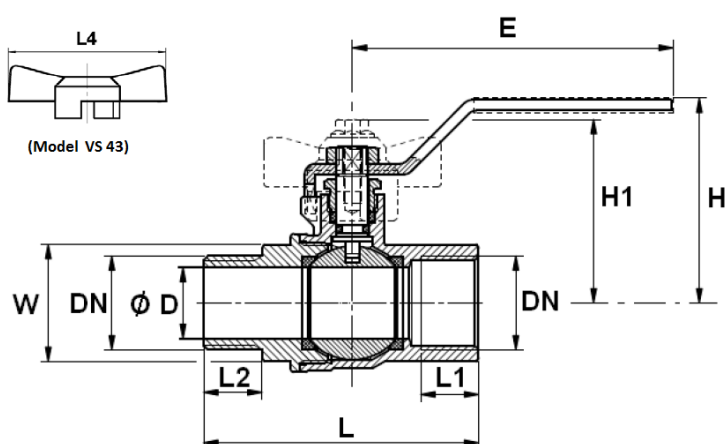
# BRASS BALL VALVE TYPE VS

## DIMENSIONS (mm) and WEIGHT (Kg)

**VS40 / VS42 F x F with handle and butterfly handle :**



**VS41 / VS43 M x F with handle and butterfly handle :**



Size	1/4"	3/8"	1/2"	3/4"	1"	1"1/4	1"1/2	2"
<b>VS</b>	<b>VS42 / VS43</b>		<b>VS40 / VS41 / VS42 / VS43</b>			<b>VS40</b>		
Ø D	10	10	15	20	25	32	40	49
L (VS40-42)	46,5	46,5	62	71	81,5	92	102	126
L (VS41-43)	52,5	52,5	67,5	77,5	87,5	-	-	-
L1	10	10	15	16,3	19,1	21,4	21,4	26
L2	11,5	11,5	15	16,5	19,5	21,5	21,5	26,5
L4	50	50	50	50	65	-	-	-
E	80	80	90	90	125	125	150	150
H	40,5	40,5	53,5	57,5	66,5	72	83,5	90
H1	37,5	37,5	48	52	62,5	-	-	-
W on flat	21	21	26	31	38	48	55	68
Weight (Kg)-(VS40)			0,270	0,365	0,605	0,880	1,340	1,980
Weight (kg)-(VS41)	-	-	0,280	0,365	0,640	-	-	-
Weight (Kg)-(VS42)	0,135	0,130	0,255	0,350	0,535	-	-	-
Weight (Kg)-(VS43)	0,135	0,140	0,265	0,365	0,570	-	-	-

Information given as an indication only, and subject to possible modifications



SECTORIEL S.A.  
45 rue du Ruisseau  
38290 SAINT QUENTIN-FALLAVIER – FRANCE  
Tél : +33 4 74 94 90 70 - Fax : +33 4 74 94 13 95  
[www.sectoriel.com](http://www.sectoriel.com) / Email : [sectoriel@sectoriel.fr](mailto:sectoriel@sectoriel.fr)

Pages	3/3
Ref.	FT1790 ENG
Rev.	02
Date	10/2023